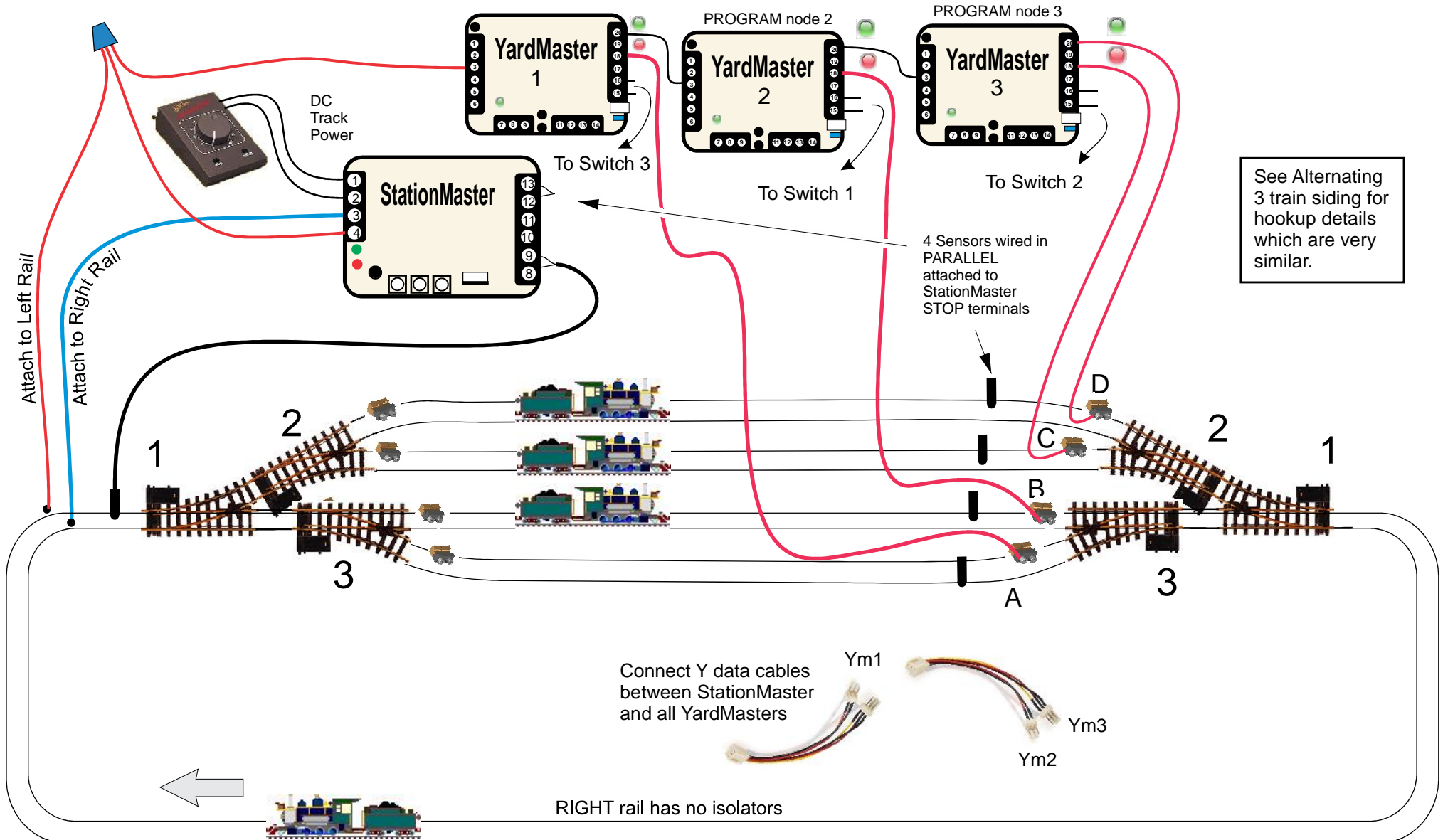


Alternating 4 train siding

Ym1	YM2	Ym3	Siding
Red	Any	Any	A
Green	Red	Any	B
Green	Green	Red	C
Green	Green	Green	D



See Alternating 3 train siding for hookup details which are very similar.

Connect Y data cables between StationMaster and all YardMasters



Place MAGNET on bottom of all engines.

RIGHT rail has no isolators